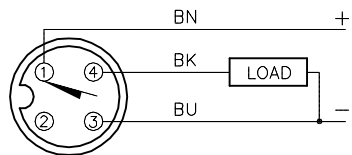


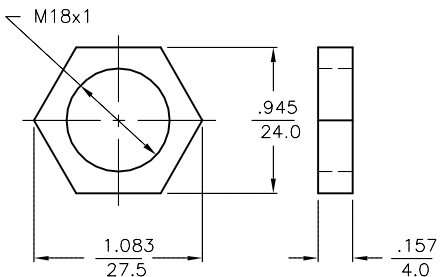
WIRING DIAGRAM



OUTPUT: AP6X

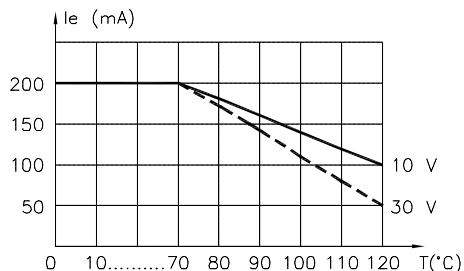
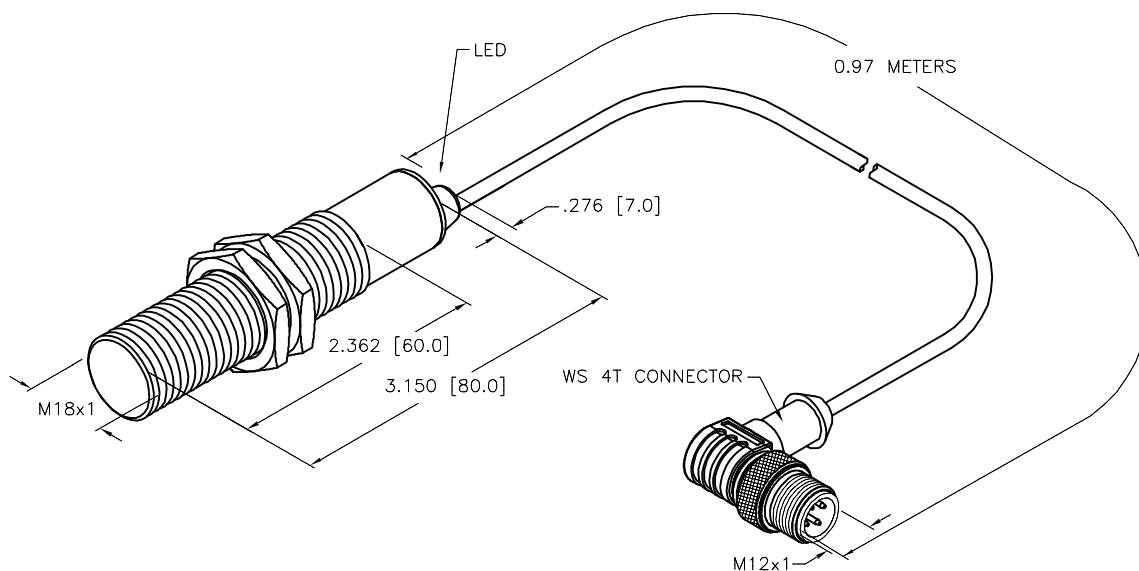
SHORT-CIRCUIT AND OVERLOAD PROTECTED

LOCKNUT LN-M18



SPECIFICATIONS

| | |
|------------------------------|-----------------------------------|
| RATED OPERATING DISTANCE | 5mm [.197] |
| MOUNTING MODE | FLUSH |
| MIN. REPEAT ACCURACY | ≤ 2% |
| TEMPERATURE DRIFT | ≤ ±10% |
| HYSTERESIS | 3-15% |
| OPERATING TEMPERATURE | -25°C to +120°C (-13°F to +248°F) |
| RATED OPERATIONAL VOLTAGE | 10-30 VDC |
| RESIDUAL RIPPLE | ≤ 10% |
| DC RATED OPERATIONAL CURRENT | ≤ 200 mA |
| NO-LOAD CURRENT | ≤ 15 mA |
| RESIDUAL CURRENT | ≤ 0.1 mA |
| RATED INSULATION VOLTAGE | ≤ 0.5 kV |
| SHORT-CIRCUIT PROTECTION | YES |
| MAX. VOLTAGE DROP | ≤ 1.8 V |
| WIRE BREAKAGE PROTECTION | INCORPORATED |
| REVERSE POLARITY PROTECTION | INCORPORATED |
| OUTPUT FUNCTION | 3-WIRE, NORMALLY OPEN, PNP |
| MAX. SWITCHING FREQUENCY | ≤ 1.5 kHz |
| HOUSING MATERIAL | BRASS, CHROME PLATED |
| ACTIVE FACE | PLASTIC, LCP-GF30 |
| END CAP | PLASTIC, EPTR |
| CABLE | ∅6.0, SIHSI, SILICONE |
| VIBRATION RESISTANCE | 55 Hz (IN ALL 3 PLANES) |
| SHOCK RESISTANCE | 30 g, 11 ms |
| DEGREE OF PROTECTION | IP67 (SENSOR ONLY) |
| SWITCHING STATUS INDICATION | LED, YELLOW |



NOTES:

1. "/S120" DESIGNATES SENSOR WILL OPERATE UP TO 120°C (248°F).

SOURCE DRAWING - FOR REFERENCE ONLY

| | | | | | |
|---|---|--|---------------|--|--------------|
| RELATED DOCUMENTS 1. 2. 3. 4. | 3RD ANGLE PROJECTION | THIS DRAWING IS CONFIDENTIAL AND THE PROPERTY OF TURCK INC. USE OF THIS DOCUMENT WITHOUT WRITTEN PERMISSION IS PROHIBITED. | | 3000 CAMPUS DRIVE MINNEAPOLIS, MN 55441 1-800-544-7769 (763) 553-7300 (763) 553-0708 fax www.turck.us | |
| | MATERIAL | DRFT *CK | DATE 11/29/10 | DESCRIPTION BI5-M18-AP6X-0.97-WS4T/S120 | |
| FINISH | ALL DIMENSIONS DISPLAYED ON THIS DRAWING ARE FOR REFERENCE ONLY | APVD | SCALE 1=1.5 | IDENTIFICATION NO. 4611090 | |
| | CONTACT TURCK FOR MORE INFORMATION | UNIT OF MEASUREMENT INCH [MILLIMETER] | | REV F | |
| | | DO NOT SCALE THIS DRAWING | | FILE: 4611090 | SHEET 1 OF 1 |

| | | | | |
|-----|--------------------|-----|----------|---------|
| F | UPDATE DESCRIPTION | RDS | 08/28/20 | 76128 |
| REV | DESCRIPTION | BY | DATE | ECO NO. |